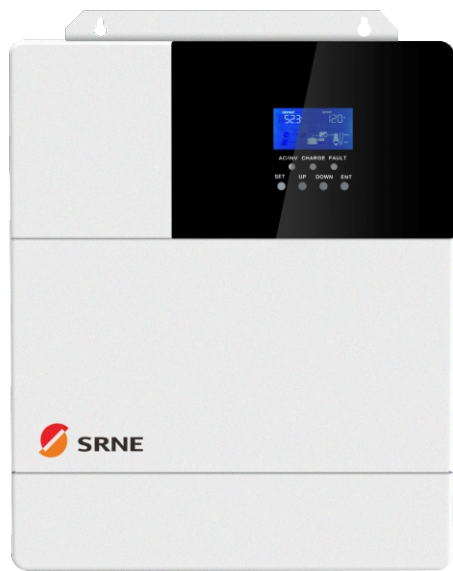


# All-in-one solar charger inverter

## SR-HF4825U60/SR-HF4830U60/SR-HF4835U80



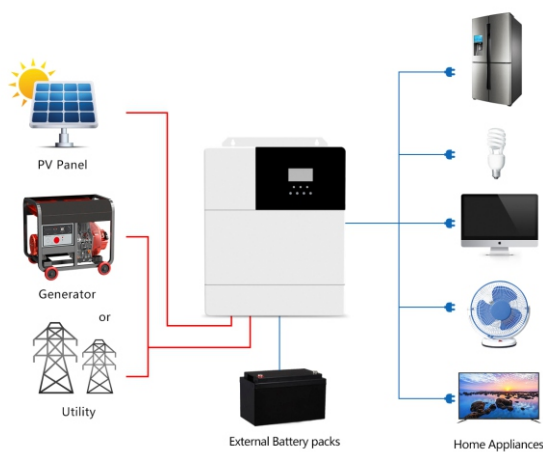
### Product overview

HF series is a new all-in-one hybrid solar charge inverter, which integrates solar energy storage & means charging energy storage and AC sine wave output. Thanks to DSP control and advanced control algorithm, it has high response speed, high reliability and high industrial standard.

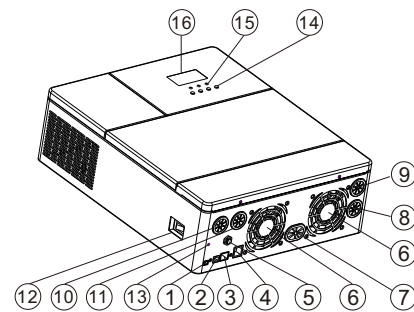
### Performance characteristics

- Full digital voltage and current double closed loop control, advanced SPWM technology, output of pure sine wave.
- Two output modes: mains bypass and inverter output; uninterrupted power supply.
- Available in 4 charging modes: Only Solar, Mains Priority, Solar Priority and Mains & Solar hybrid charging.
- Advanced MPPT technology with an efficiency of 99.9%.
- With the charging requirement (voltage, current, mode) settings, and suitable for various types of energystorage batteries.
- ON/OFF rocker switch for AC output control.
- Power saving mode available to reduce no-load loss.
- Intelligent variable speed fan to efficiently dissipate heat and extend system life.
- Lithium battery activation design, allowing access of lead-acid battery and lithium battery.
- 360° all-round protection with a number of protection functions. Such as overload, short circuit and overcurrent.
- Supply of a variety of user-friendly communication modules, such as RS485(GPRS, WiFi, Bluetooth), CAN, USB etc., and suitable for computer, mobile phones, Internet monitoring as well as remote operations.

### Product connection diagram



### Appearance



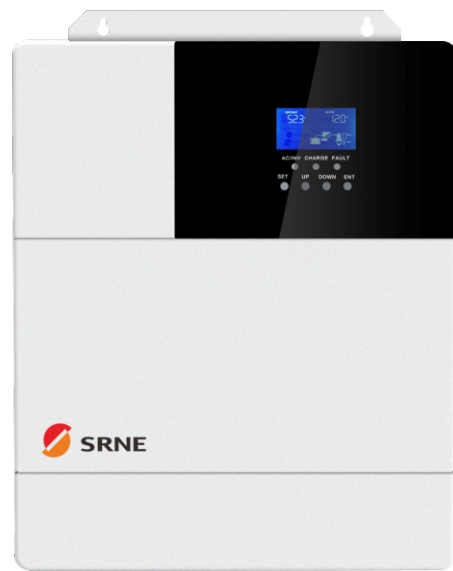
①	CAN communication port	⑨	Pv1 port
②	USB communication port	⑩	AC input port
③	RS485 communication port	⑪	AC output port
④	Dry node port	⑫	ON/OFF rocker switch
⑤	Overload protector	⑬	Grounding screw hole
⑥	Cooling fan	⑭	Touch button
⑦	Battery port	⑮	Indicator
⑧	Pv2 port	⑯	LCD screen

### Technical parameters >>>

Models	HF4825U60	HF4830U60	HF4835U80
<b>AC mode</b>			
Rated input voltage	110/120Vac		
Input voltage range	(90Vac~140Vac) ±2%		
Frequency	50Hz/ 60Hz (Auto detection)		
Frequency Range	47±0.3Hz ~ 55±0.3Hz (50Hz)/57±0.3Hz ~ 65±0.3Hz (60Hz);		
Overload/short circuit protection	Circuit breaker		
Efficiency	>95%		
Conversion time (bypass and inverter)	10ms (typical)		
AC reverse protection	Available		
Maximum bypass overload current	40A		
<b>Inverter mode</b>			
Output voltage waveform	Pure sine wave		
Rated output power (VA)	2500	3000	3500
Rated output power (W)	2500	3000	3500
Power factor	1		
Rated output voltage (Vac)	120Vac		
Output voltage error	±5%		
Output frequency range (Hz)	50Hz ± 0.3Hz/60Hz ± 0.3Hz		
Efficiency	>90%		
Overload protection	(102% < load < 110%) ±10%: report error and turn off the output after 5 minutes;(110% < load < 125%) ± 10%: report error and turn off the output after 10 seconds;(Load >150% ±10%): report error and turn off the output after 5 seconds;		
Peak power	5000VA	6000VA	7000VA
Loaded motor capability	1HP	1HP	2HP
Output short circuit protection	Circuit breaker		
Bypass breaker specifications	40A		
Rated battery input voltage	48V (Minimum starting voltage 44V)		
Battery voltage range	Undervoltage alarm/shutdown voltage/overvoltage alarm /overvoltage recovery... settable on LCD screen)		
Power saving mode	Load ≤25W		
<b>AC charging</b>			
Battery type	Lead acid or lithium battery		
Maximum charge current	30A		
Charge current error	± 5Adc		
Charge voltage range	40 ~60Vdc		
Short circuit protection	Circuit breaker and blown fuse		
Circuit breaker specifications	40A		
Overcharge protection	Alarm and turn off charging after 1 minute		
<b>PV charging</b>			
Maximum PV open circuit voltage	145Vdc		
PV operating voltage range	60-145Vdc		
MPPT voltage range	60-115Vdc		
Battery voltage range	40-60Vdc		
Maximum output power	3200W		4200W
PV charging current range (can be set)	0-60A		0-80A
Charging short circuit protection	Blown fuse		
Wiring protection	Reverse polarity protection		
<b>Certified specifications</b>			
Certification	CE(EN62040-1)		
EMC certification level	EN62040-2, C2		
Operating temperature range	-15°C to 55°C		
Storage temperature range	-25°C ~ 60°C		
Humidity range	5% to 95% (Conformal coating protection)		
Noise	≤60dB		
Heat dissipation	Forced air cooling, variable speed of fan		
Communication interface	USB/RS485(Bluetooth/WiFi/GPRS)/Dry node control		
Size (L*W*D)	430mm*338mm*126mm		
Weight (kg)	10		

# All-in-one solar charger inverter

## SR-HF4830S60/SR-HF4840S60/SR-HF4850S80



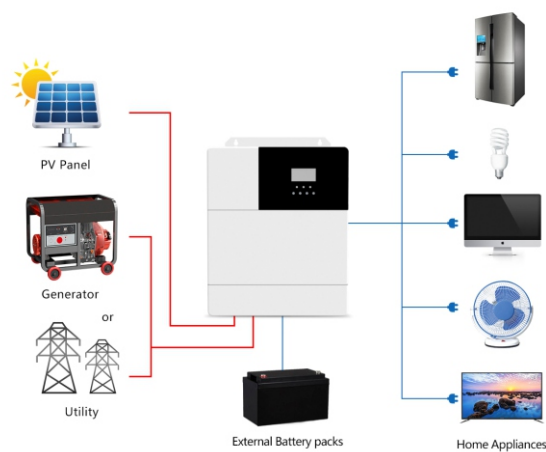
### Product overview

HF series is a new all-in-one hybrid solar charge inverter, which integrates solar energy storage & means charging energy storage and AC sine wave output. Thanks to DSP control and advanced control algorithm, it has high response speed, high reliability and high industrial standard.

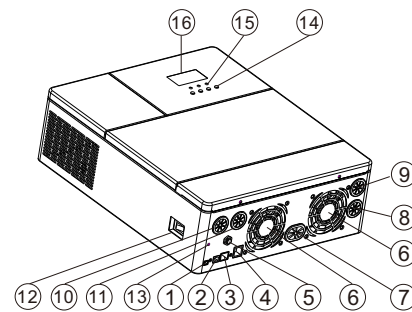
### Performance characteristics

- Full digital voltage and current double closed loop control, advanced SPWM technology, output of pure sine wave.
- Two output modes: mains bypass and inverter output; uninterrupted power supply.
- Available in 4 charging modes: Only Solar, Mains Priority, Solar Priority and Mains & Solar hybrid charging.
- Advanced MPPT technology with an efficiency of 99.9%.
- With the charging requirement (voltage, current, mode) settings, and suitable for various types of energystorage batteries.
- ON/OFF rocker switch for AC output control.
- Power saving mode available to reduce no-load loss.
- Intelligent variable speed fan to efficiently dissipate heat and extend system life.
- Lithium battery activation design, allowing access of lead-acid battery and lithium battery.
- 360° all-round protection with a number of protection functions. Such as overload, short circuit and overcurrent.
- Supply of a variety of user-friendly communication modules, such as RS485(GPRS, WiFi, Bluetooth), CAN, USB etc., and suitable for computer, mobile phones, Internet monitoring as well as remote operations.

### Product connection diagram



### Appearance



①	CAN communication port	⑨	Pv1 port
②	USB communication port	⑩	AC input port
③	RS485 communication port	⑪	AC output port
④	Dry node port	⑫	ON/OFF rocker switch
⑤	Overload protector	⑬	Grounding screw hole
⑥	Cooling fan	⑭	Touch button
⑦	Battery port	⑮	Indicator
⑧	Pv2 port	⑯	LCD screen

### Technical parameters >>>

Models	HF4830S60	HF4840S60	HF4850S80
<b>AC mode</b>			
Rated input voltage	220/230Vac		
Input voltage range	(170Vac~280Vac) ±2%/(90Vac-280Vac)±2%		
Frequency	50Hz/ 60Hz (Auto detection)		
Frequency Range	47±0.3Hz ~ 55±0.3Hz (50Hz)/57±0.3Hz ~ 65±0.3Hz (60Hz);		
Overload/short circuit protection	Circuit breaker		
Efficiency	>95%		
Conversion time (bypass and inverter)	10ms (typical)		
AC reverse protection	Available		
Maximum bypass overload current	40A		
<b>Inverter mode</b>			
Output voltage waveform	Pure sine wave		
Rated output power (VA)	3000	4000	5000
Rated output power (W)	3000	4000	5000
Power factor	1		
Rated output voltage (Vac)	230Vac		
Output voltage error	±5%		
Output frequency range (Hz)	50Hz ± 0.3Hz/60Hz ± 0.3Hz		
Efficiency	>90%		
Overload protection	(102% < load < 125%) ±10%: report error and turn off the output after 5 minutes;(125% < load < 150%) ± 10%: report error and turn off the output after 10 seconds;Load >150% ±10%: report error and turn off the output after 5 seconds;		
Peak power	6000VA	8000VA	10000VA
Loaded motor capability	2HP	3HP	4HP
Output short circuit protection	Circuit breaker		
Bypass breaker specifications	40A		
Rated battery input voltage	48V (Minimum starting voltage 44V)		
Battery voltage range	Undervoltage alarm/shutdown voltage/overvoltage alarm /overvoltage recovery... settable on LCD screen)		
Power saving mode	Load ≤25W		
<b>AC charging</b>			
Battery type	Lead acid or lithium battery		
Maximum charge current	60A		
Charge current error	± 5A <sub>dc</sub>		
Charge voltage range	40 ~58V <sub>dc</sub>		
Short circuit protection	Circuit breaker and blown fuse		
Circuit breaker specifications	40A		
Overcharge protection	Alarm and turn off charging after 1 minute		
<b>PV charging</b>			
Maximum PV open circuit voltage	145V <sub>dc</sub>		
PV operating voltage range	60-145V <sub>dc</sub>		
MPPT voltage range	60-115V <sub>dc</sub>		
Battery voltage range	40-60V <sub>dc</sub>		
Maximum output power	3200W	4200W	
PV charging current range (can be set)	0-60A	0-80A	
Charging short circuit protection	Blown fuse		
Wiring protection	Reverse polarity protection		
<b>Certified specifications</b>			
Certification	CE(EN62040-1)		
EMC certification level	EN62040-2, C2		
Operating temperature range	-15°C to 55°C		
Storage temperature range	-25°C ~ 60°C		
Humidity range	5% to 95% (Conformal coating protection)		
Noise	≤60dB		
Heat dissipation	Forced air cooling, variable speed of fan		
Communication interface	USB/RS485(Bluetooth/WiFi/GPRS)/Dry node control		
Size (L*W*D)	430mm*338mm*126mm		
Weight (kg)	10		